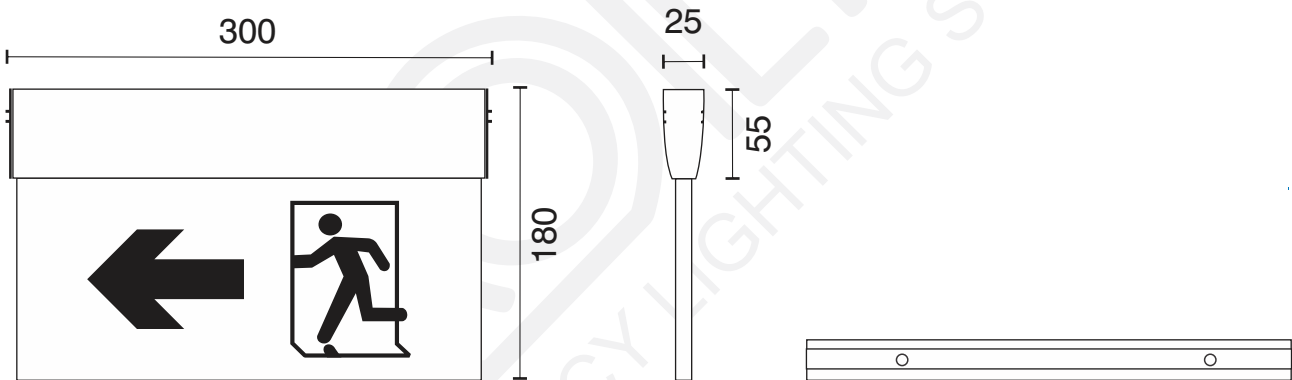


# LED EMERGENCY EXIT LIGHT



## GA Diagram:

Dimensions (in mm)



## Application:

Provides illumination on normal mains power supply and the same LEDs continues to provide illumination during mains failure on self contained battery source. **ON** resumption of mains supply, the LEDs switches back to the mains automatically & simultaneously starts recharging the battery to the required level. **Maintained Model Provide Uninterrupted illumination**

*Tolerance on overall dimensions is  $\pm 5$  mm unless otherwise specified. | Please Note: Other Input Voltage Is Also Available – Price On Request (POR). | Due to continuous development, specifications may change without prior notice.*

# Technical Specifications

CONFORMS TO		IS - 10322
INGRESS PROTECTION		IP 20
HOUSING		MADE UP OF UNIFORMLY EXTRUDED, ALUMINUM ALLOY.
PAINT & COLOUR		EPOXY POLYESTER POWDER COATING, WHITE IN COLOUR.
DIFFUSER CUM MESSAGE PANEL		CAD DESIGNED PRINTING ON 6 M. M. CLEAR ACRYLIC SHEET.
INPUT (V)		~ 230 VOLTS, 50 HZ; $\pm 10\%$ .
LED		MULTIPLE LEDS
LED MAKE		GMR LIGHT , BRIDGELUX, EDISON & OSRAM.
MAINS CONNECTOR		5 A, 250 VOLTS, PCB MOUNT WITH ELECTRICAL GRADE.
BATTERY		LITHIUM-ION RECHARGEABLE BATTERY.
DURATION		180 MINUTES BACK UP; $\pm 10\%$ .
CHARGING TYPE		CONSTANT CURRENT CHARGER
RECHARGING CYCLE		16 TO 24 HOURS RECHARGING PERIOD
MOUNTING TYPE		CEILING/WALL MOUNTING WITH 2 NOS. KEY HOLES.
WEIGHT		BELOW 1 KG.
APPLICATION		VERY USEFUL FOR LIT INFORMATION BOARDS AT DOMESTIC & COMMERCIAL PREMISES, CORRIDORS OF HOTELS, BATTERY ROOMS, STAIRCASES, UNDERGROUND PARKING.

*Tolerance on overall dimensions is  $\pm 5$  mm unless otherwise specified. | Please Note: Other Input Voltage Is Also Available – Price On Request (POR). | Due to continuous development, specifications may change without prior notice.*