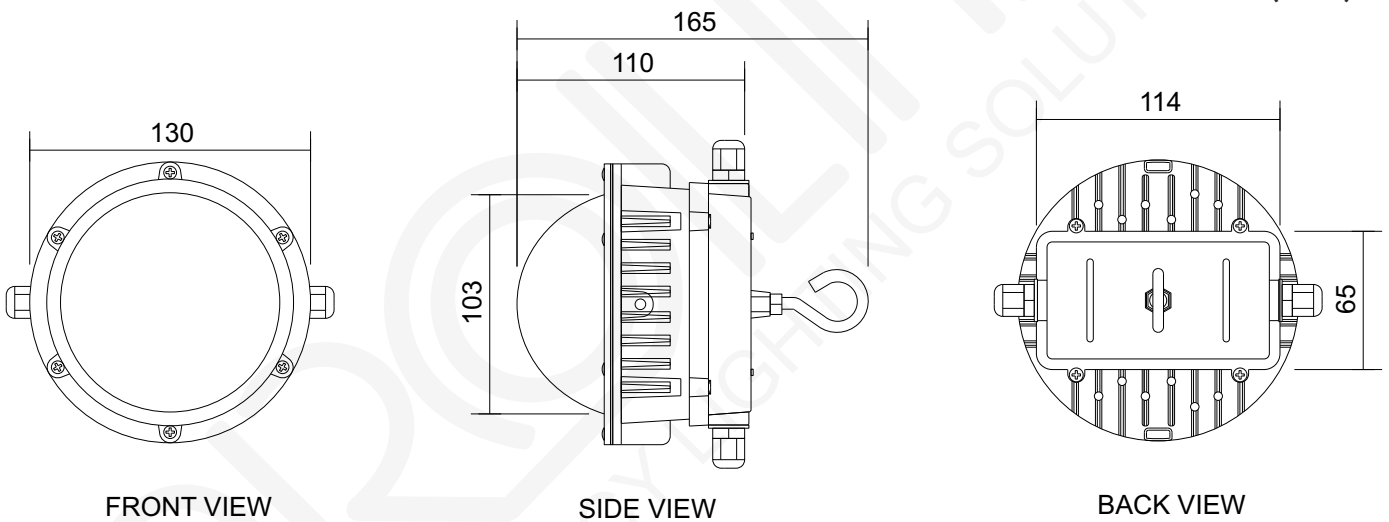


PEL LED 3W NM/BULKHEAD (ROUND)



GA Diagram:

Dimensions (in mm)



Application:

Automatically switches – **ON**, on mains power failure & provides illumination on battery source for specified duration, after which the battery gets automatically cut-off, to facilitate quick recharge on the resumption of mains supply. Once the battery is fully charged, it automatically slides into trickle charge to constantly retain the charge and be ready for immediate use. **Non-Maintained**

Technical Specifications

AS PER		IS - 10322
INGRESS PROTECTION		IP 54/65
HOUSING		ALUMINIUM DIE-CAST.
DIFFUSER		MILKY POLYCARBONATE DIFFUSER.
INPUT (V)		~230 VOLTS, 50 HZ; ±10%
LED		3W, MULTIPLE LEDs.
LED MAKE		GMR LIGHT, BRIDGELUX, EDISON, OSRAM.
BATTERY TYPE		NI-CD / NI-MH / LITHIUM-ION RECHARGEABLE.
DURATION		180 MINUTES BACK UP; ±10%.
CHARGING TYPE		CONSTANT CURRENT CHARGER
RECHARGING CYCLE		16 TO 24 HOURS RECHARGING PERIOD
MOUNTING TYPE		HOOK TYPE.
WEIGHT (KG)		< 1KG.
APPLICATION		DOMESTIC & COMMERCIAL PURPOSE, CORRIDORS OF HOTELS, BATTERY ROOMS, STAIRCASES, UNDERGROUND PARKING

Tolerance on overall dimensions is ± 5 mm unless otherwise specified. | Please Note: Other Input Voltage Is Also Available – Price On Request (POR). | Due to continuous development, specifications may change without prior notice.