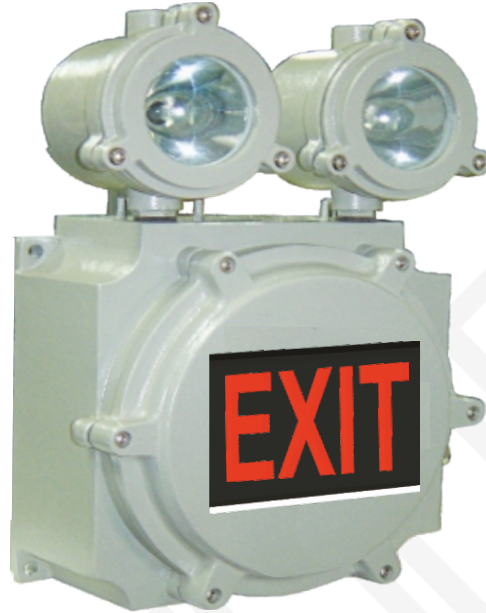
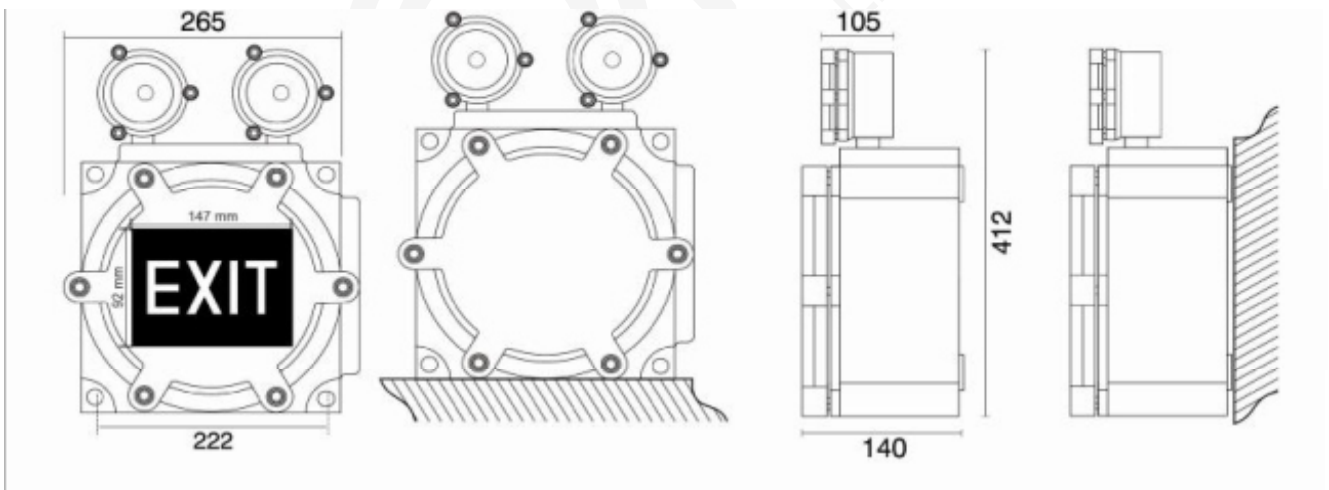


PEL LED LML FP



GA Drawing:

Dimensions (in mm)



Application:

Consist of two units of LED Lamps ,Which automatically switches – **ON**, on mains power failure & provides illumination on battery source for specified duration, after which the battery gets automatically cut-off, to facilitate quick recharge on the resumption of mains supply. Once the battery is fully charged, it automatically trickle charge to constantly retain the charge and be ready for immediate use. **Non-Maintained, EXIT-Maintained**

Technical Specifications

CONFIRMS		IS : 10322.
INGRESS PROTECTION		IP – 65
HOUSING		CAST ALUMINUM, CMRI CERTIFIED FLAME PROOF HOUSING WITH HEAT RESISTANT CLEAR BOROSIL GLASS.
TYPE OF PROTECTION		FLAME PROOF
TYPE OF DESIGN		NON - MAINTAINED
PAINT & COLOUR		EPOXY PAINT, SHADE 631 OF IS: 5.
INPUT (V)		~230V, 50HZ/A.C. \pm 10%
LED		2 x 10W LED
LED MAKE		LUSTROUS, EDISON, OSRAM.
BATTERY TYPE		SLA RECHARGEABLE BATTERY
DURATION		A! 180 MINUTE BACK UP + 10% LED. B! 180 MINUTE BACK UP + 10% EXIT.
CHARGING TYPE		CONSTANT VOLTAGE CHARGER.
RECHARGING CYCLE		10 TO 12 HOURS RECHARGING PERIOD.
RED LED		CHARGING INDICATION
MOUNTING		ON WALL/CEILING THRU 4 NOS. OF HOLES.
WEIGHT (KG)		12 KG. APPROX
APPLICATION		INDUSTRIAL PURPOSE, IN CHEMICAL & HAZARDOUS INDUSTRIES, WHERE IGNITION OF INFLAMMABLE MATERIAL IS VERY CASUAL.