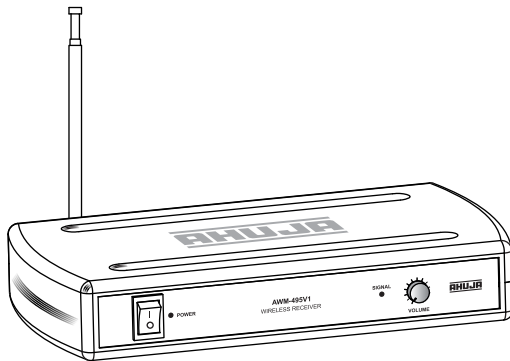


AWM-495V1



Receiver

Handheld
Transmitter

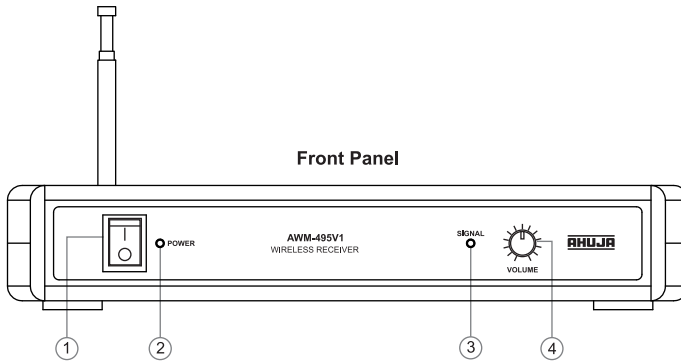
AWM-495V1 is an affordable high performance VHF Wireless Microphone. It consists of a single wireless handheld transmitter and a highly sensitive receiver. This model features excellent sound quality and long operating range.

FEATURES

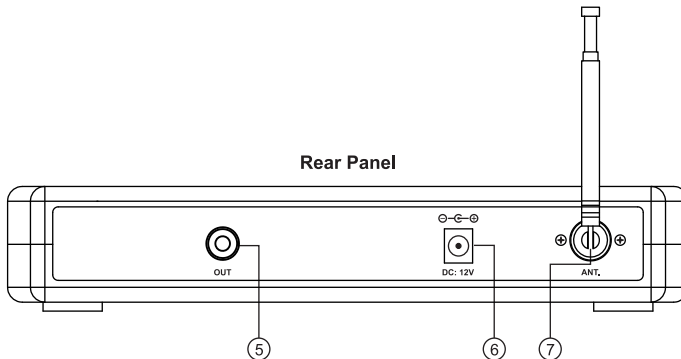
- Compact, lightweight, single channel VHF Wireless Receiver and Handheld Transmitter.
- Operates on Quartz Crystal Locked VHF High Band frequency and available in different frequencies.
- Internal antenna in the mic transmitter and a telescopic antenna in the receiver for clear and distortion free reception.
- Receiver operates on 12V DC through an AC Adaptor, supplied along with. Mic transmitter operates with a 2 × 1.5V AA pencil cells.
- Handheld transmitter with 2-position slide switch for 'Audio On' & 'Off' positions.
- Green LED for signal indication on receiver.

-
- ◆ Thank you for purchasing the AHUJA PA Wireless Microphone.
 - ◆ Please read this manual thoroughly before making connections and turning on the power. Following the instructions in this manual will enable you to obtain optimum performance from your new AHUJA PA Wireless Microphone.
 - ◆ Please retain this manual for future reference.

• Receiver: Front & Rear Panel Controls & Features



- 1. Power Switch**
- 2. Power Indicator**
Red LED glows when receiver is switched 'ON'.
- 3. Signal Indicator**
Green LED glows to indicate reception of RF carrier frequency from a microphone of similar frequency.
- 4. Volume Control**

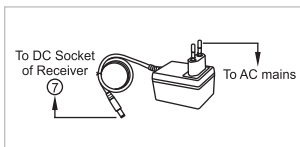


- 5. Audio Out**
- 6. DC Socket**
For connecting a DC plug of AC Adaptor.
- 7. Telescopic Antenna**

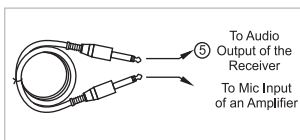
• Operation & Battery Insertion

Receiver

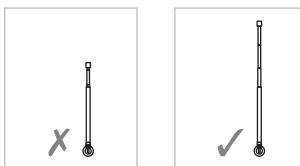
- Insert the DC Plug of AC Adaptor in to the receiver. Insert AC Adaptor into the socket of AC mains supply.



- Insert one end of connecting cable to Audio Output socket of Receiver and other end of the cable to the Mic input of an amplifier.

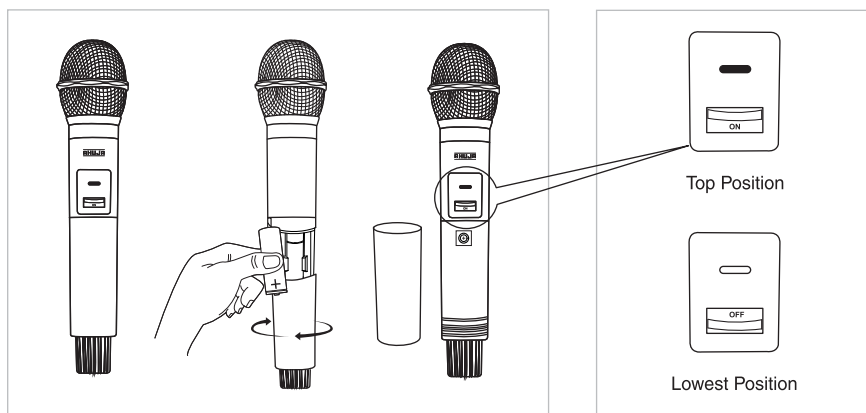


- Ensure the telescopic antenna is fully extended vertically.
- Switch ON the Power Switch of the Receiver. Red LED on front panel will glow.
- Always keep the receiver antennas away from metal and other reflecting surfaces and obstructions.



Handheld Transmitter

- Insert 2 × 1.5V AA pencil cells in the battery compartment of the handheld transmitter by unscrewing the lower part of the transmitter body.



- Ensure the 2 × 1.5V AA pencil cells are inserted with correct polarity.
- The transmitter has a 2-position slide switch:
- In top position, the transmitter is ON and its Green LED glows. Keep the switch in top position when speaking into the handheld transmitter.
- When the switch is at the lowest position, the transmitter will be completely switched off.

• Specifications

TRANSMITTER

RF Output Power	Less than 15mW
Modulation Mode	FM(F3E)
Microphone Element	Dynamic, cardioid
Dynamic Range	80dB
Spurious Emission	<45dB
Maximum Deviation	±75kHz
Frequency Response	50-15,000Hz
Antenna Type	Internal dipole
Current Consumption	≤100mA
Controls	Transmitter ON/OFF Switch
Indication	Green LED for indicating microphone is ON
Dimensions	ø55 (L248) mm
Weight	180g (w/o battery) approx.

RECEIVER

Frequency Stability	± 0.005% Quartz Crystal Controlled
Receiving Method	Non-diversity
Audio Output	0-55mV / 1kΩ
S/N Ratio	>80dB
Distortion	≤0.5%
Frequency Response	50-15,000Hz
Antenna	Telescopic
Power Requirement	240V AC 50Hz for AC adaptor (supplied along with)
Controls	Power On / Off Switch, Output Volume Control
Indications	Red LED for Power ON, Green LED for RF reception
Dimensions	W230 x H42 x D150 mm
Weight	305g approx.

ACCESSORIES

1 × Connection Cable, 1 × AC Adaptor, 2 × 1.5V Pencil Cell