

AHUJA[®]**Portable PA Amplifier**

50W Max.

BTA-880



-
- ◆ Thank you for purchasing AHUJA Portable PA Amplifier BTA-880.
 - ◆ Please read this manual thoroughly before making connections and turning on the power. Following the instructions in this manual will enable you to obtain optimum performance from your new AHUJA Portable PA Amplifier.
 - ◆ Please retain this manual for future reference.

Read the Instructions: Please read all the instructions in this section carefully before installation or use of the product. All the safety instructions must be followed.

Retain the Instructions: Please retain this Instruction Manual for future reference.



This symbol, wherever it appears, alerts you to the presence of uninsulated hazardous voltage that may be sufficient to constitute a risk of electric shock. External wiring to any terminal marked with this symbol must be done by a trained and instructed person only.



This symbol, wherever it appears adjacent to a component, alerts you that the concerned component can only be replaced by another of the exact same specifications.

CAUTIONS

Do not remove the back cover. No user serviceable parts inside. Refer all servicings to qualified personnel only.

Water and Moisture:

In order to prevent any fire or shock hazard, do not expose this equipment to rain or moisture.

Power Source:

The equipment can be operated with 220-240V 50Hz AC or 12V DC external battery or built-in 12V 7Ah internal rechargeable battery.

Power-cord Protection:

Do not cut, kink, damage or modify the power supply cord supplied with the equipment. Keep the power supply cord away from heaters & harmful chemicals. Do not place heavy objects on the power cord.

Operation on Generator:

When operating the set on a generator, make sure it is switched 'OFF' till the generator voltage has stabilized and then only switch ON the amplifier.

Protection Against Shocks:

Do not plug in or remove the AC power supply plug with wet hands so as to avoid electric shock.

Replacing AC Mains Fuse:

Replace the AC fuse only after putting the Power Switch in OFF position, and disconnecting the AC cord from AC socket of the set. Replace with another fuse of the exact specified rating only.

Important

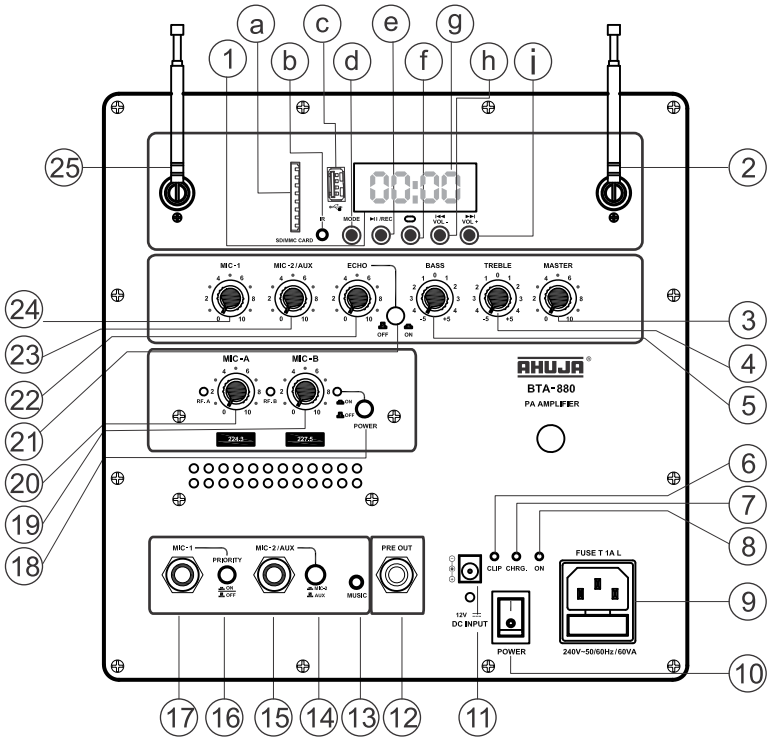
- To charge the built-in battery, connect the 240V AC mains, but keep POWER switch on the rear panel to OFF. Charge immediately after purchasing the set, and also periodically thereafter (even if set is not used on built-in battery)
- When the set is not in use, keep the power switch OFF.

• Table of Contents

Contents	Page No.
■ Safety Instructions	2
■ Features	3
■ Rear Panel Controls & Description	4
■ Remote Control Features	6
■ Wireless Microphone	6
■ Operation & Interconnections.....	7
■ Guideline for Pairing of Bluetooth Device	7
■ Specifications.....	8

• Features

- Elegant and stylish looking plastic moulded cabinet with Trolley System.
- Two Mic inputs, Two Wireless Mics, one Aux input & one Music input.
- Built-in 305 mm (12") 4Ω speaker & 8Ω HF driver.
- Mic 1 has selectable priority over all other inputs.
- Built-in MP3 Player with Bluetooth, Recorder and remote control.
- Built-in Digital Echo.
- Active Bass & Treble controls.
- LED indications for low battery, charging & clip output.
- Facility of auto cut-off to prevent battery from deep discharge.
- Three power source operation (AC mains, External 12V DC or built-in 12V 7Ah rechargeable battery).



1. MP3 Playback Facility

a. SD/MMC Card Connectors

b. IR Sensor: To operate the remote functions, point the remote control towards the IR Sensor.

c. USB Connector: Insert the USB drive here.

d. MODE: Press this switch to select USB/SD, Bluetooth or Recorder modes.

e. ►| / REC: Press once to Play the track. Press again to Pause the track being played or Recorded. When Recorder MODE is selected long press this switch to perform recording.

f. ◀▶: Press once to repeat the track being played. Press again to repeat all the tracks in Pen Drive or SD Card.

g. Display: Display the volume level, track being played & other functions.

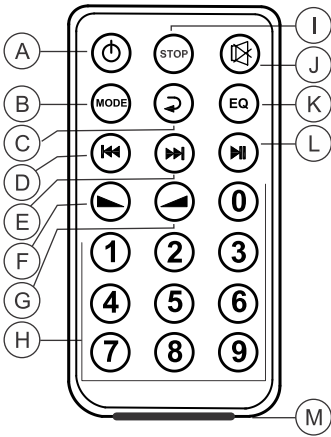
h. ◀◀ VOL-: Short press this switch to select prev track. Long press to decrease the volume level.

i. ▶▶ VOL+: Short press to select next track. Long press to increase the volume level.

• Rear Panel Controls & Description

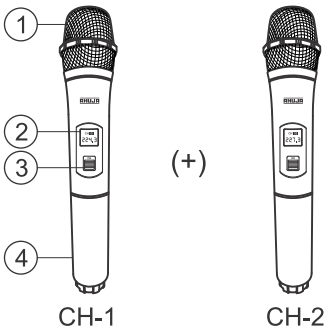
2. **Antenna:** For Wireless Mic-B.
3. **Master Control:** This control adjusts the level of mixed signal of all inputs.
4. **Treble Control:** To increase or decrease the level of high frequency contents in the music.
5. **Bass Control:** To increase or decrease the level of low frequency contents in music e.g, Tabla drums etc.
6. **CLIP LED:** This LED glows when the output is too high clipping level. The glow of the LED alerts to reduce the signal level.
7. **CHARGE:** Indicates the charging status of the battery. During charging, the glow of LED is RED. When battery is fully charged, the glow of this LED changes to green colour.
8. **ON LED:** When set is ON, this LED will glow Green. When set is used on battery the glow of the LED is green, if battery is charged. When the battery voltage is below the specified level, it will turns RED giving indication of "Low Battery". After few minutes it will switch OFF the set completely.
9. **Mains Socket with 1 Amp Fuse:**
To operate the set on mains AC 240 volts connect the AC mains lead supplied with the unit to this socket. 1 Amp Fuse is built-in with the socket.
10. **Power Switch:** Press upper part of the knob to switch ON & lower part of the knob to switch OFF the set.
Charging of built-in battery is done at OFF position of the switch.
11. **DC Input Socket:** For connecting external 12V Car Battery.
12. **Pre-amp Output**
13. **Music Input:** 3.5mm Jack to connect Mobile or Laptop to play music.
14. **AUX/MIC-2 Selector switch:** Press this to change from MIC to AUX.
15. **MIC-2/AUX Input Jack:**
16. **Priority Switch:** Pressing this switch will give priority of MIC1 over all other inputs.
17. **MIC-1 Input Jack:**
18. **Wireless Mic ON/OFF Switch:**
Press the switch to activate the wireless receiver to ON position. ON & OFF status is shown by LED glow adjacent to this switch.
19. **Wireless Mic B Control:** Use this control to adjust the level of wireless MIC B when LED RF-B is glowing.
20. **Wireless Mic A Control:** Use this control to adjust the level of wireless MIC A when LED RF-A is glowing.
21. To use Echo in programme press this switch to ON position.
22. To adjust the level of delay and Echo in the programme.
23. **Gain Control for MIC-2/AUX/Music Input**
24. **Gain Control for MIC-1**
25. **Antenna:** For Wireless Mic-A.

• Remote Control Features



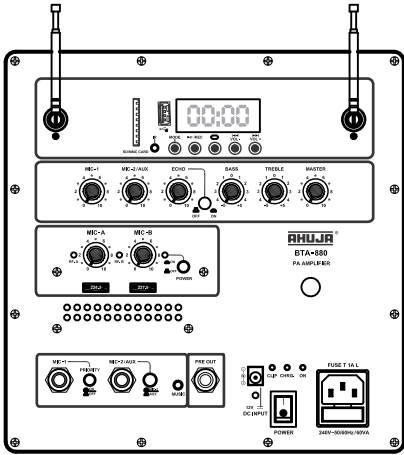
- A. **Power:** Press once to switch ON MP3 digital player, press again to switch OFF.
- B. **MODE:** Press this switch to select USB/SD, Bluetooth or Recorder modes.
- C. **↻** Press once to repeat the song being played. Press again to repeat all the songs..
- D. **◀** : Press to select the previous track.
- E. **▶**: Press to select the next track.
- F. **◀ Vol-**: Press to decrease the volume of Digital Player.
- G. **▶ Vol+**: Press to increase the volume of Digital Player.
- H. Number key 0 to 9. To select the track number to be played.
- I. **STOP:** Press this switch to stop USB and USB can be again played only by pressing play switch and song start play from starting.
- J. **⊞ MUTE::** Press this switch to select to mute the sound and again press this switch to normal sound.
- K. Press the switch to select the pre setted equalizations like Jazz, Pop, Classic and Normal.
- L. **▶|| PLAY/PAUSE:** Press once to Play the track. Press again to Pause the track being played or Recorded. When Recorder MODE is selected long press this switch to perform recording.
- M. **Battery Replacement:** Open the battery chamber and replace the battery with proper polarity.

• Wireless Microphone



1. **Grill**
Hardened meshed grill in non-reflective black finish.
2. **Frequency Display**
3. **Switch**
The Slide switch has 2 positions:
 - a. At the lowest position, the transmitter is completely OFF.
 - b. At the top position, the transmitter sends the audio signal. The switch must be in the top position when mic is being used.
4. **Cover for 3V Battery Housing**
Rotate the cover anti-clockwise to unscrew and gain access to the battery compartment which holds two 1.5V AA cell.

• Operation & Interconnections



- Make necessary interconnections and set all the volume controls to '0' position.
- Plug in the AC power cord to the nearest AC mains socket and charge the built-in battery before use. To charge the Built-in battery, keep the Power switch of the unit to OFF position & 240V mains connected. For full charging of 7Ah battery, it can take 6 to 8 hours.
Amplifier can not be used when the unit is kept for built-in battery charging.

- Switch ON the power switch to use the Amplifier.
- Glow of LED ON to Green indicates that power is ON and the set is ready for operation.
- Set the desired level of Input controls to optimum listening level.
- Set the Bass/Treble controls to the desired level.
- Continuous glow of the CLIP LED indicates that signal level is excessive. Set the Input controls such that the clip LED does not glow continuously.
- In case of AC mains failure, the power backup will automatically change over to an external 12V battery (if connected) or to 12V internal battery.
- If set is used on battery and power ON LED turns to RED, it indicates that the built-in battery is almost discharged. Start recharging immediately. Otherwise, after few minutes, the set will stop working.

When the set is not in use put the power switch to OFF position. This will prevent unnecessary current consumption of the internal battery.

• Guideline for Pairing of Bluetooth Device

To play the MP3 programme from Mobile phone, via bluetooth, the pairing of the Bluetooth devices of Mobile phone & Amplifier is necessary. Pairing is done as follow:

- a. Switch ON the BTA-880. The MP3 module display shows "On"
- b. Press MODE switch of amplifier module to select bluetooth option. MP3 module display show the word "BLUE" Blinking.
- c. Select the bluetooth option in Mobile phone & follow the instruction as appearing on Mobile phone for pairing the new device.
- d. Press Pair/New Device/Search/ Activate/ON/Discoverable etc, as appear in the mobile phone used.
- e. After a search, a new device by name "BTA-880" appears on the Mobile phone screen.
- f. Select the new device "BTA-880" and confirm for pairing.
- g. When pairing is completed, the displays show "BLUE" blinking turns to steady. Select the track to played and set the volume level of mobile & Amplifier to desired levels.

• Active Loudspeaker

Receiver	BTA-880
Speaker	1 x 12" Speaker, 1 x HF Driver
Power Output (BI-Amp)	50W Max. (LF+HF) LF: 35W Max HF: 15W Max
Input Channels	2 x Mic 3mV/4.7kΩ, 1 x Aux 100mV/47kΩ, Music 100mV/47kΩ, 2 x Wireless MIC
Frequency Response	55-18,000Hz ±3dB (Bi-Amp)
S/N Ratio	60dB
Tone Controls	Bass ±5dB at 100Hz, Treble ±5dB at 10kHz
Digital Player	MP3 player with USB, SD, MMC card reader, Recording function and Bluetooth.
Preamp Output	200mV/600Ω
Protections	AC Fuse: 1 Amp. 250V (T 1A L)
Power Supply	AC : 220V-240V 50/60Hz DC : 12V Car Battery (external), 12V 7Ah Rechargeable battery (built-in)
AC Power Consumption	60VA
Dimensions	W405 x H610 x D350 mm
Weight	18.80 kg approx.

Microphones	
Wireless Microphone	2 x Hand Held
Frequency Stability	±0.005%
Max. Modulation	45dB
RF Output	10mW
Frequency Response	50-15,000Hz
Battery	3V (2 × 1.5V AA Pencil Cells)
Current Consumption	< 200mA
Dimensions	Ø52 × L242 mm
Weight (w/o battery)	140g approx.

Design and Specifications are subject to change without notice owing to continuous product up-gradation. Technical specifications are subject to production tolerances. We cannot be held responsible for printing errors, should they occur. **BHUSHI** is a registered trademark of Ahuja Radios in India and other countries. © Copyright Ahuja Radios, 2020. All rights reserved. Any unauthorized reproduction or use of logos, images or design elements is strictly prohibited by law. No part of this compilation may be reproduced in any manner or translated without written permission.