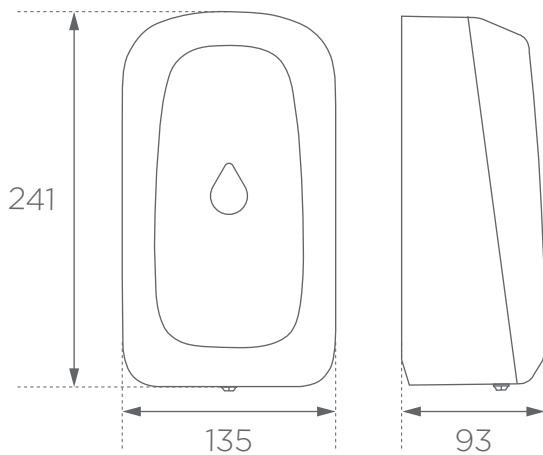


ES83AC

Auto Soap Dispenser



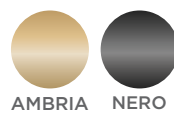
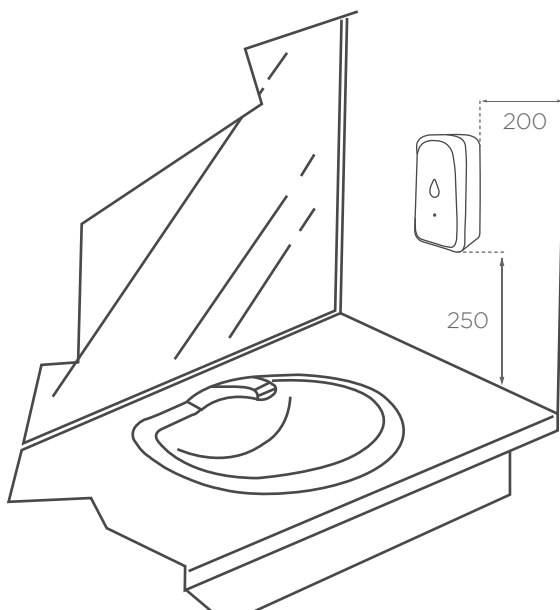
Certified as per IS 302-2-23:2009
BIS Licence No. CM/L- 512618720.



KEY FEATURES



Operation	Automatic Infra-Red Sensor
Capacity	1000 ML
Material	304 Stainless Steel
Power	Battery (4 x AA Alkaline Duracell)
Sensing Distance	8 cm
Installation Height	15-18 cm
Dimension	135(L) x 93(W) x 241(H)
Warranty	6 Months
Quality Standards	



all measurements are in mm
visit www.euronics.co.in
for a full range of euronics inspire products

EURONICS