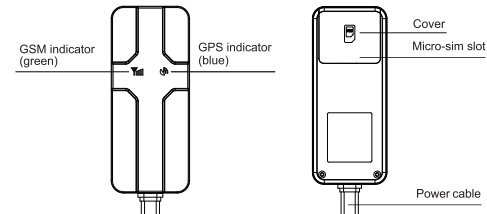


V5 User Manual

Product overview



Position tracking

GPS & LBS positioning
Real-time location query
Tracking by time/distance/ cornering/ignition

Anti-theft

Remote cut-off (standard)
Tamper alert (G-sensor)
Vibration alert
Geo-fence
External Power cut-off alert

Monitoring

ACC detection-ignition status
Driver behavior analysis
(Harsh acceleration/ harsh braking/ harsh cornering)
Low external power alert
Low internal power alert
Over-speed alert
Drifting alert

Over-the-air (OTA)

TTL/RS485 (4 pin optional)

Standard list

Item	Quantity
Standard package	1
JM-VG03 device	1
Power cable	1
Relay(12/24V)	1 (optional)

Specification

GSM Band	850/900/1800/1900 MHz
GNSS Type	GPS+LBS
Antenna	Built-in GPS ceramic antenna; GSM quad-band antenna
LED indicator	GPS(blue), GSM(green)
Battery	60mAh/3.7V Li-Polymer battery
Working voltage/current	9-90V DC
Standby current	<5mA
Operating temperature	-20°C to +70°C
Weight	29g
Dimension	71.9*30.2*12.9mm

Interfaces

4 pin standard version

Interface	Color	Description
V+	Red	Power+ (9-90V)
V-	Black	GND pin
ACC	Orange	Vehicle ignition detection
Relay	Yellow	To cut-off vehicle fuel support

2 pin optional version

Interface	Color	Description
V+	Red	Power+ (9-90V)
V-	Black	Power-

4 pin optional version

Interface	Color	Description
V+	Red	Power+ (9-90V)
V-	Black	Power-
Tx	Blue	Connect with peripheral
Rx	Green	Connect with peripheral

LED indications

GNSS Status(Blue)

Blinking	GNSS synchronizing
Solid on	Positioned
Off	GNSS module is in sleep mode or is not active

GSM Status(Green)

Quick blinking (0.3s on, 0.3s off)	Module initializing
Slow blinking (0.3s on, 2s off)	Normal signal receiving
Solid on	GSM call/ GPRS is active
Off	No signal received or no SIM card detected

Power Status(Blue & Green)

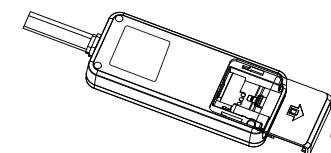
Blue and Green indicator solid on External power supply connected for 3s

Insert sim card and power on

1. Choose Micro SIM card with access to GPRS and SMS.

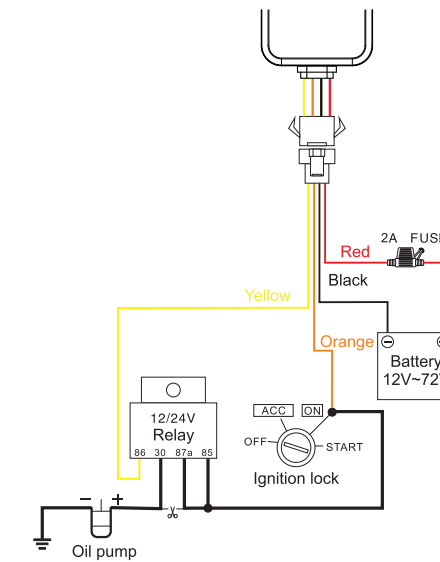


2. Gently remove the cover and switch off the device, then insert SIM card into SIM card slot.



3. Switch on the device and push the cover back.

Wiring indication



4 pin standard version

SMS configuration

Tracked by mobile phone

Send SMS command [URL#](#) to device sim card number. The device will reply a sms with map link. Click the link to a location displayed on Google map on mobile phone.

If device replies 'Positioning, please wait for a moment' or 'Positioning fail', it means the device is not in GPS covered area.

Monitored by tracking platform

APN & Server setting
To ensure normal network operation, please confirm your APN and server setting before you login. In most countries, APN could be automatically adapted to local mobile operators. If not, please send SMS to set the APN.

If user name and password are required for APN, please add it into the command.
[APN.apnname#](#)
E.g.APN.internet#
[APN.apnname.user.pwd#](#)
E.g.APN.internet,CLENTE,AMENA#

Confirm the server address and setting with distributors. If server is incorrect, please send SMS to change.
[SERVER.mode.domain name/IP.port,0#](#)
E.g. SERVER,1, www.ydpat.com, 8011,0#
SERVER,0,211.154.135.113,8011,0#
mode=1 means set with domain name
mode=0 means set with IP address

Please login the designated service platform and enjoy your monitoring experience.



GPS upload interval setting

By time interval (Default Valid)

[TIMER,T1,T2#](#)

T1 means upload interval when ACC ON
T2 means upload interval when ACC OFF
Range: 5-18000 or 0 (second); 0 means no upload
Default valid setting: [TIMER,10,10#](#)
Query current TIMER setting: [TIMER#](#)

By distance interval (Default OFF)

[DISTANCE,D#](#)

D ranges 50-10000 or 0 (meters)
Note: When user enable uploading by DISTANCE, the preset TIME uploading turns invalid.

Remote power/fuel cut-off

Add SOS number

SMS command to the device to add the SOS number.

[SOS,A.No.1.No.2.No.3#](#)

"A" means to add new numbers, for example:
[SOS,A,18116552975,18116552976,18116552977#](#)

It will reply:
"OK! SOS1: 18116552975 SOS2: 18116552976 SOS3:18116552977"
after set successfully.

If unfortunately vehicle is stolen, user could cut-off power/fuel remotely by platform, APP and SMS.

Notice:

- 1.Make sure ACC is correctly connected.
- 2.When ACC is OFF, command will be executed immediately.
- 3.When ACC is ON but GPS is not fixed, command will defer.
- 4.When ACC is ON and GPS is fixed, command will be executed when vehicle speed is less than 20km/h.

To cut-off/restore the fuel by SMS command, you have to authorize a center number.

Set the center number: [CENTER,A,mobile number#](#)

Delete the center number: [CENTER,D#](#)

Notice:

Only the preset SOS number can set/delete the center number.
Only one center number can be set.

To cut-off fuel/power connection: [RELAY,A#](#)

A=0/1 (0=restore fuel; 1=cut-off fuel) Default value:0
E.g.[RELAY,1#](#)

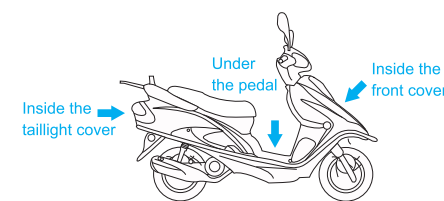
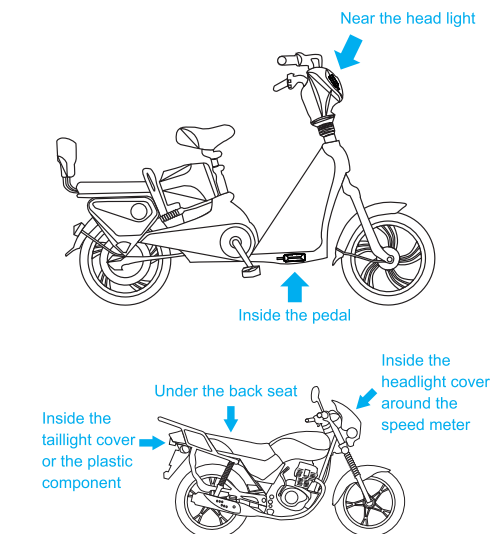
Common SMS setting command

Command	Description	Remark
STATUS#	Check device's status	
VERSION#	Check firmware version	
GPRSSET#	Check device network setting	
DEFENSE,A#	Delayed defense setting	A:1-60 min, default:10min
DEFENSE#	Check the current parameters	
SENALM,S,M#	Enabled vibration alarm	S=1 means ON; S=0 means OFF M=0/1/2/3, way of alarming, 0: GPRS only, 1: SMS+GPRS, 2: GPRS+SMS+Call, 3: GPRS+Call

SENALM,OFF#	Disabled vibration alarm	
SENALM#	Check the alarm setting	
RESET#	Reboot	Device will reboot in 20s

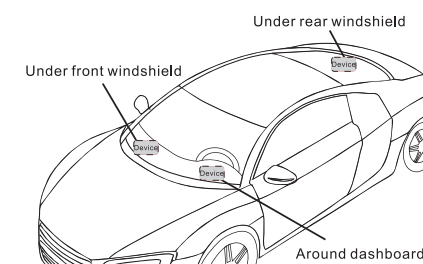
Installation recommendation

Please install the device under the guidance of professional personnel.



Note:

The device should face up to the sky.
Metal thermal barrier or heating layer of the windshield affects the signal. Please change installation places to receive better signal.



Troubleshooting

Type	Use
Unable to connect to tracking platform	Check the APN and IP settings. Check whether the data service of SIM card is enabled. Check the balance of SIM card.
Tracker shows offline	Check whether external power is still connected. Check if the vehicle entered network blind area. Check the balance of SIM card.
Unable to locate	Make sure the top side facing upward without metallic things shielded. Make sure it's not in area with no satellite coverage.
Location drift	In area with poor GNSS signal(tall building around or basement), drifting may happen. Check whether vibration happens around to trigger the accelerator.
No command reply	Make sure command format is correct. Vehicle may be in network blind area. Make sure SIM card is well inserted and have SMS service.

Warranty instructions

1. The warranty is valid only when the warranty card is properly completed, and upon presentation of the proof of purchase consisting of original invoice indicating the date of purchase, model and serial No.of the product. We reserve the right to refuse warranty if this information has been removed or changed after the original purchase of the product from the dealer.
2. Our obligations are limited to repair of the defect or replacement the defective part or at its discretion replacement of the product itself.
3. Warranty repairs must be carried out by our Authorized Service Centre. Warranty cover will be void, even if a repair has been attempted by any unauthorized service centre.
4. Repair or replacement under the terms of this warranty does not provide right to extension or renewal of the warranty period.
5. The warranty is not applicable to cases other than defects in material, design and workmanship.

Maintenance Record

Date	Serviced by
Product Model	
IMEI Number	
Fault Descriptions	
Comments	

V5
2G MINI
GPS VEHICLE TERMINAL
Quick Start Manual
V1.0