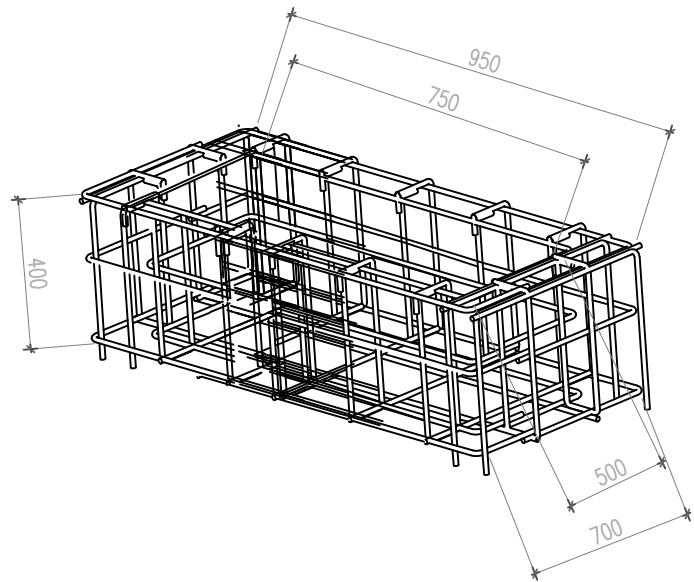
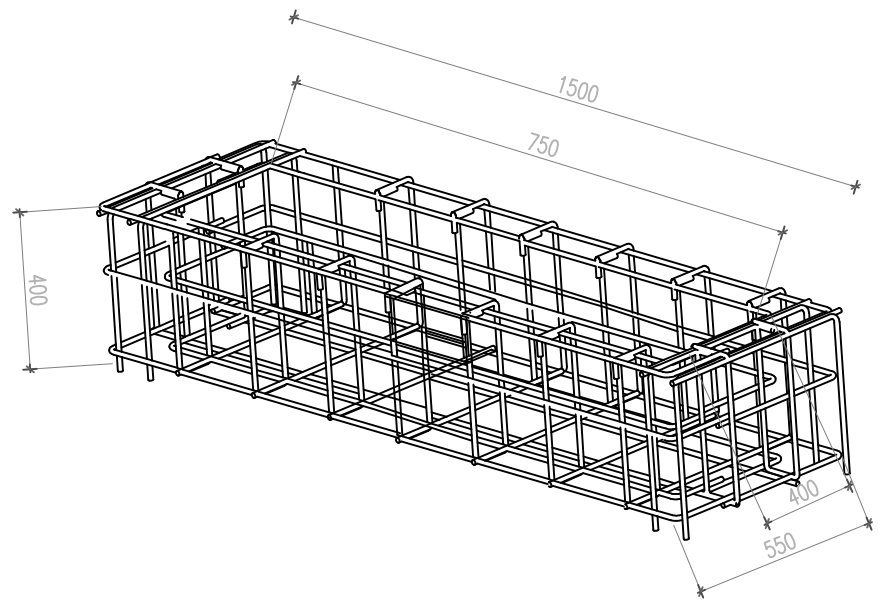


01 02 03 04 05 06 07 08

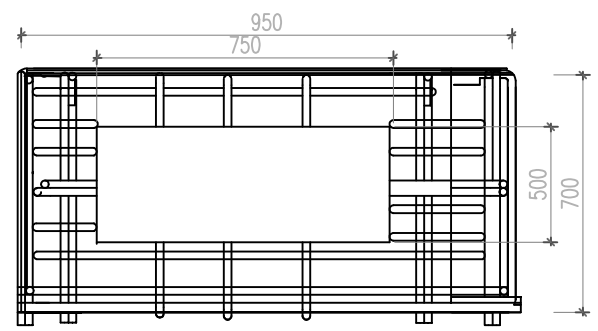
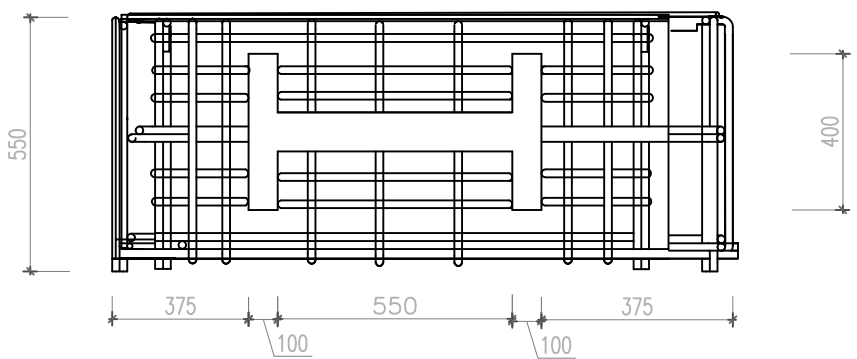
A

A



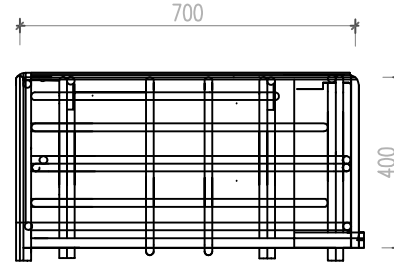
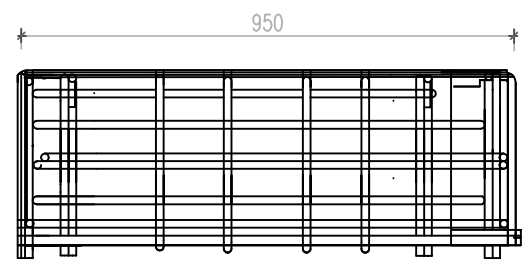
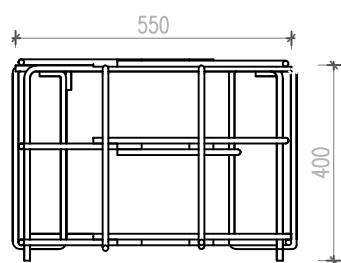
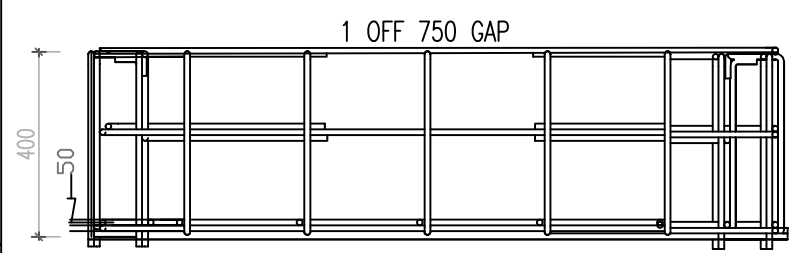
B

B



C

C




D

D

BASE BOX-2

BASE BOX-1

a) Revisions:-			
Project:-	Consultant:-	Architect:-	Contractor:-

b) Manufactured by

NEPTUNE AUTOMATIC PVT LTD
 A-11, SECTOR-59, NOIDA-201301

c)
 Client:-
 Detail:-CRASH BARRIER REBAR SCHEME
 Checked By:-

d)	
Drawn	Priya
Scale	N.T.S.
Date	26/04/2021
REV.	00
SHEET NO.	01
NO.OF SHEET	01

E