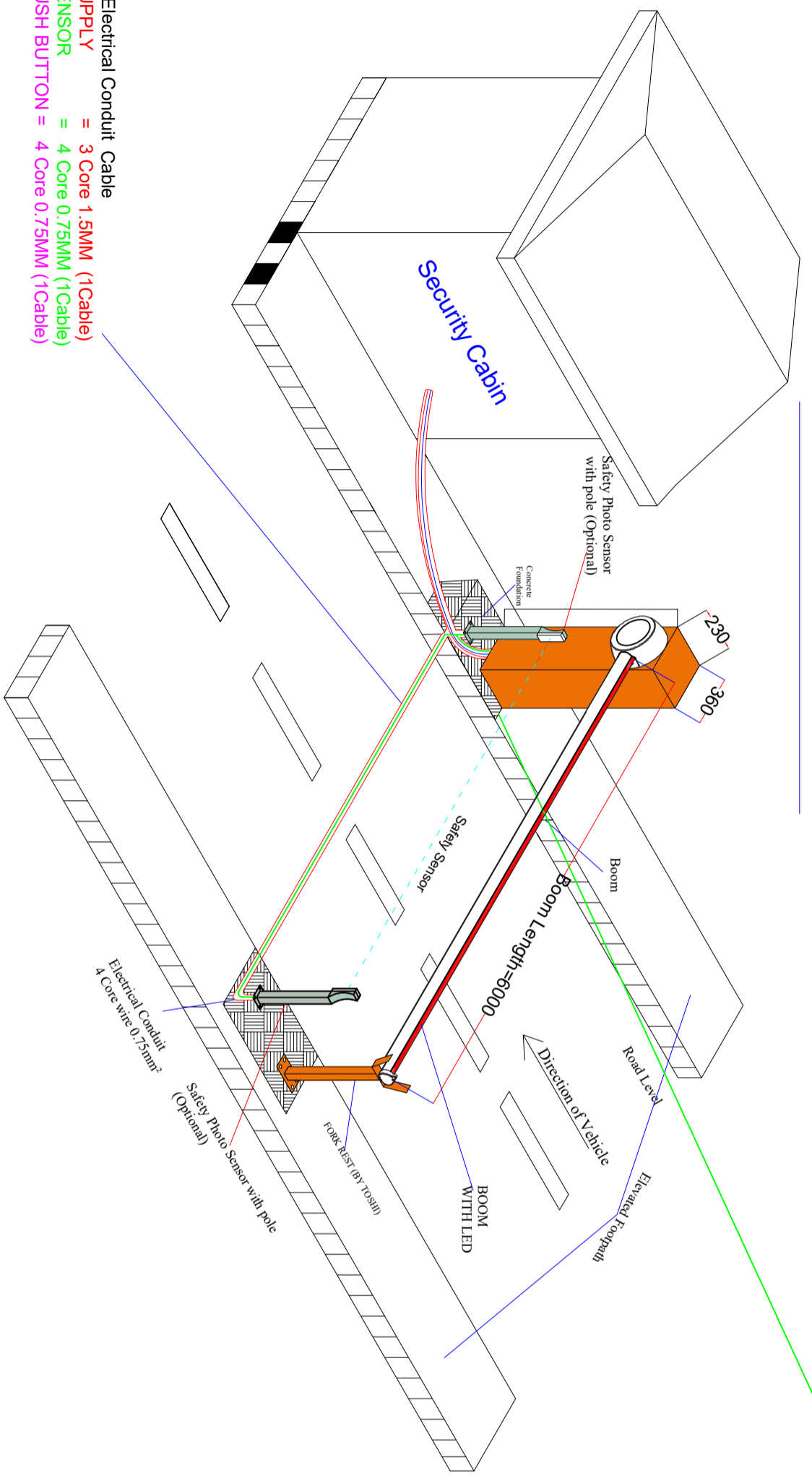
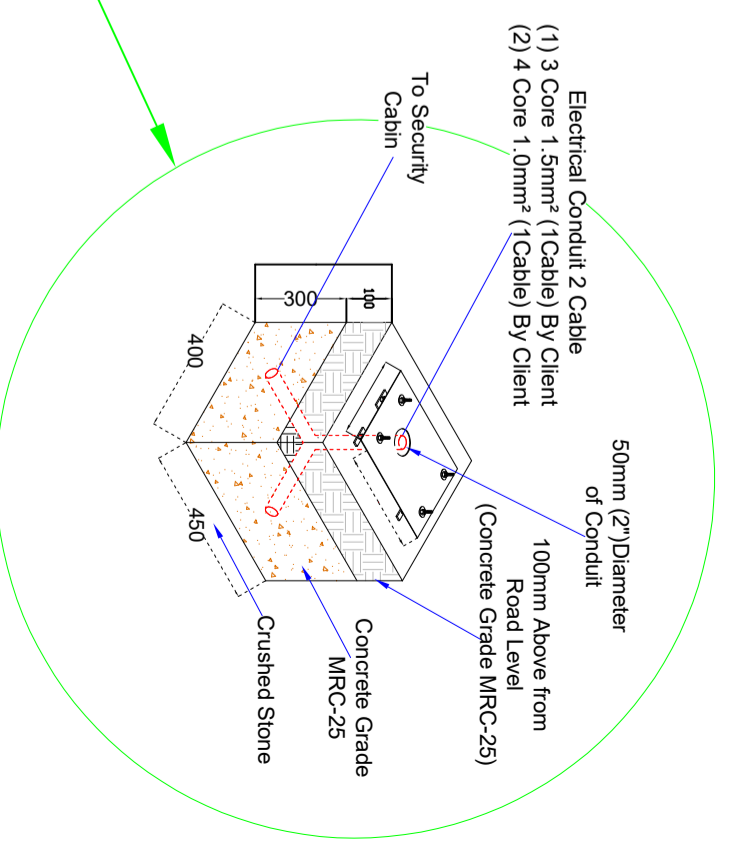


Front View



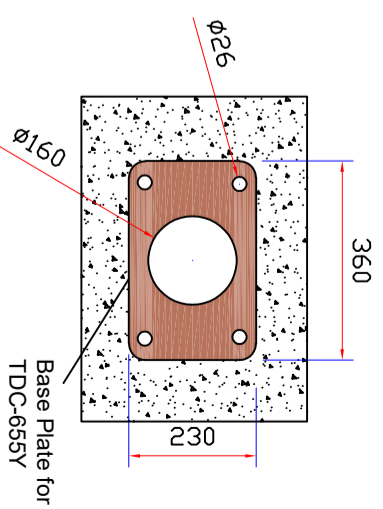
- Electrical Conduit Cable
- (1) SUPPLY = 3 Core 1.5MM (1Cable)
 - (2) SENSOR = 4 Core 0.75MM (1Cable)
 - (3) PUSH BUTTON = 4 Core 0.75MM (1Cable)

SCALE-NTS

This drawing is the soul property of (TAS) Do not copy/reproduce /share with others without our permission.

GROUP :- Automatic Boom Barriers		PRODUCT :- Automatic Boom Barrier-6 Meter		MODEL NO:- TDC655Y-6	
REV	DATE	DESCRIPTION	DRAWN BY	APPROVED BY	DATE
00	09-04-2020	ISSUED FOR APPROVAL	SOHRAB KHAN	KAPIL SACHDEV	09-04-2020
PRO NO:- 5603			DRAWING NO :- GA--111 (PRO5603) TDC655Y-6		

TDC655Y barrier Layout		
Type	NORMAL BARRIER	
Motor Location	Boom Length	Qty.
IN SIDE	6000	02
Power/Electrical Requirement		
Phase	1 ϕ	
Voltage	230 V	
Frequency	50 HZ	
Current	Max. 5 Amp.	



TOP VIEW

