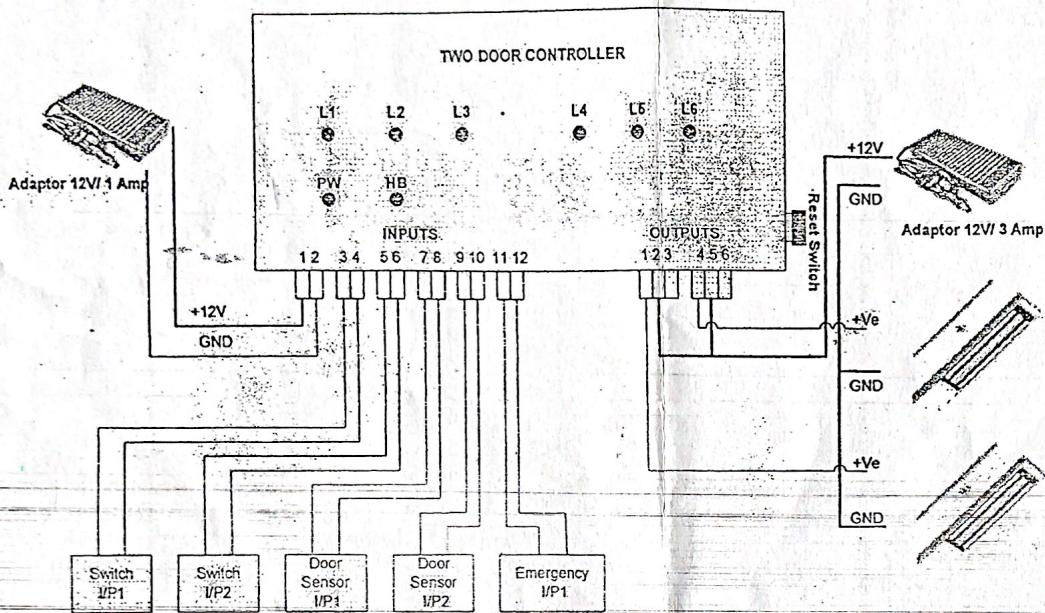


TWO DOOR INTERLOCK SYSTEM



INPUTS

- 1 - +Ve Supply (Adapter 12V)
- 2 - -Ve Supply (Adapter 12V)
- 3 - I/P1
- 4 - GND
- 5 - I/P2
- 6 - GND
- 7 - Door Sensor I/P (NC)
- 8 - Door Sensor I/P (COM)
- 9 - Door Sensor I/P (NC)
- 10 - Door Sensor I/P (COM)
- 11 - Emergency ext I/P
- 12 - GND

OUTPUTS

- LOCK O/P 1
- 1 - NC
- 2 - COM
- 3 - NO
- LOCK O/P 2
- 4 - NC
- 5 - COM
- 6 - NO

LEDs O/P

- L1 - I/P 1
- L2 - I/P2
- L3 - EMG I/P
- L4 - EMG O/P
- L5 - LOCK O/P1
- L6 - LOCK O/P2

- 1 - Door sensor enable/disable
- 2,3,4 - Out put Delay set



ON
OFF

Switch Num 1

- ON - Door Sensor I/P Enable
- OFF - Door Sensor I/P Disable

Switch Num 2, 3, 4

- OFF OFF OFF - 5 Sec Delay
- OFF OFF ON - 5 Sec Delay
- OFF ON OFF - 10 Sec Delay
- OFF ON ON - 15 Sec Delay
- ON OFF OFF - 20 Sec Delay
- ON OFF ON - 25 Sec Delay
- ON ON OFF - 30 Sec Delay
- ON ON ON - 35 Sec Delay

NOTE:-

- 1) If door sensor feed back input does not come within 2 min of door open state the error is indicated through a "Long beep".
- 2) Emergency input will opens the the doors for 5 min.