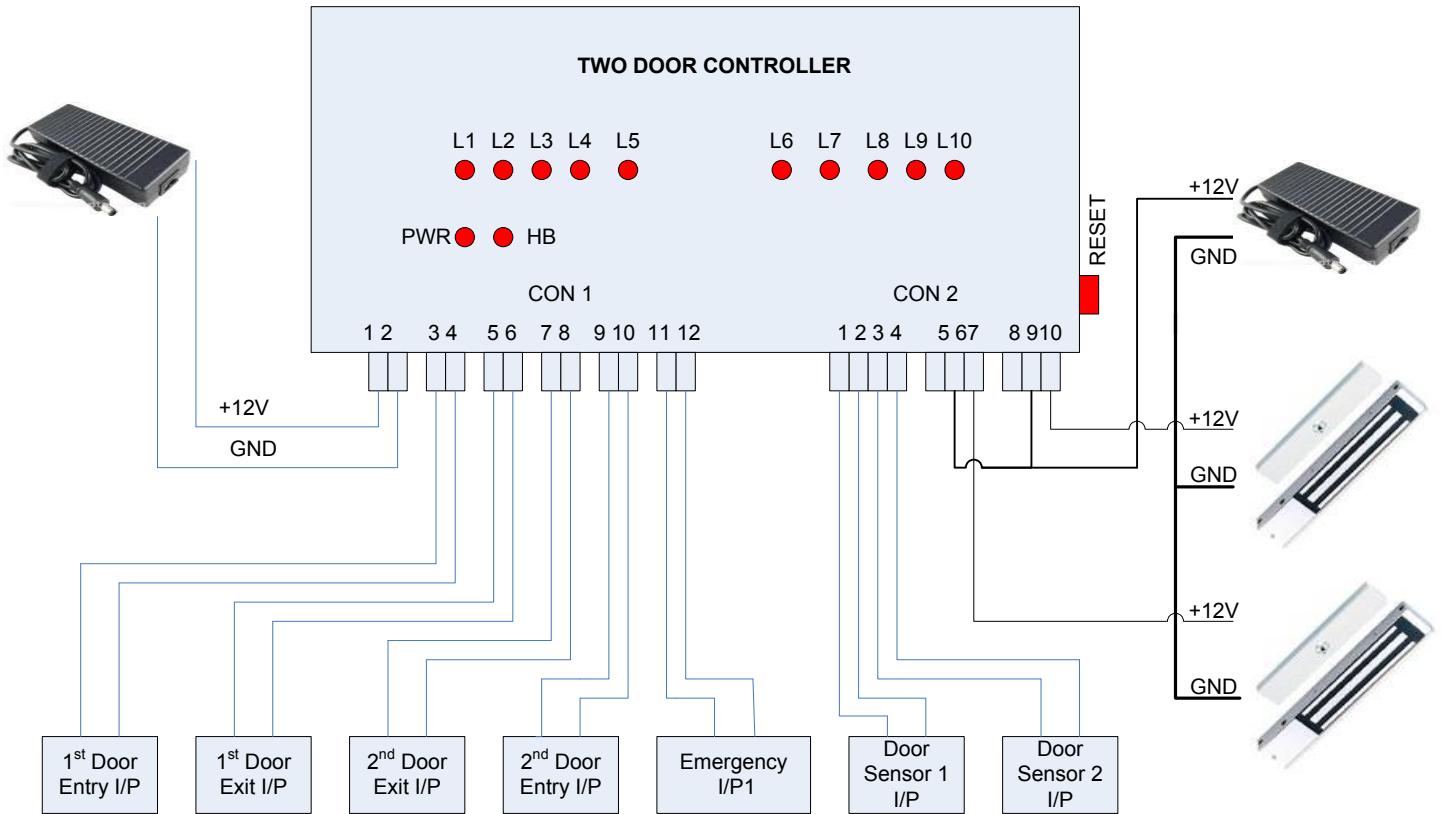


TWO DOOR INTERLOCK SYSTEM

TWO DOOR INTERLOCK SYSTEM



CON1

- 1 - +Ve Supply (Adapter 12V)
- 2 - -Ve Supply (Adapter 12V)
- 3 - 1st Door Entry I/P
- 4 - GND
- 5 - 1st Door Exit I/P
- 6 - GND
- 7 - 2nd Door Exit I/P
- 8 - GND
- 9 - 2nd Door Entry I/P
- 10 - GND
- 11 - Emergency exit I/P
- 12 - GND

CON2

- 1 - Door Sensor1 I/P (NC)
- 2 - Door Sensor1 I/P (COM)
- 3 - Door Sensor2 I/P (NC)
- 4 - Door Sensor2 I/P (COM)
- LOCK O/P 1**
- 5 - NO
- 6 - COM
- 7 - NC
- LOCK O/P 2**
- 8 - NO
- 9 - COM
- 10 - NC

LEDs O/P

- L1 - 1st Door Entry I/P
- L2 - 1st Door Exit I/P
- L3 - 2nd Door Exit I/P
- L4 - 2nd Door Entry I/P
- L5 - EMG I/P
- L6 - LOCK O/P1
- L7 - LOCK O/P2
- L8 - N/C
- L9 - N/C
- L10 - EMG O/P

DIP SWITCH SETTINGS

- 1 - N/A
- 2,3,4 - Out put Delay set



- ON
- OFF

Switch Num 2, 3,4

- OFF OFF OFF - 5 Sec Delay
- OFF OFF ON - 5 Sec Delay
- OFF ON OFF - 10 Sec Delay
- OFF ON ON - 15 Sec Delay
- ON OFF OFF - 20 Sec Delay
- ON OFF ON - 25 Sec Delay
- ON ON OFF - 30 Sec Delay
- ON ON ON - 35 Sec Delay

NOTE: -

- 1) If door sensor feed back input does not come within 2 min of door open state the error is indicated through a "Long beep".
- 2) Emergency input will opens the the doors forever till the device reset is activated.